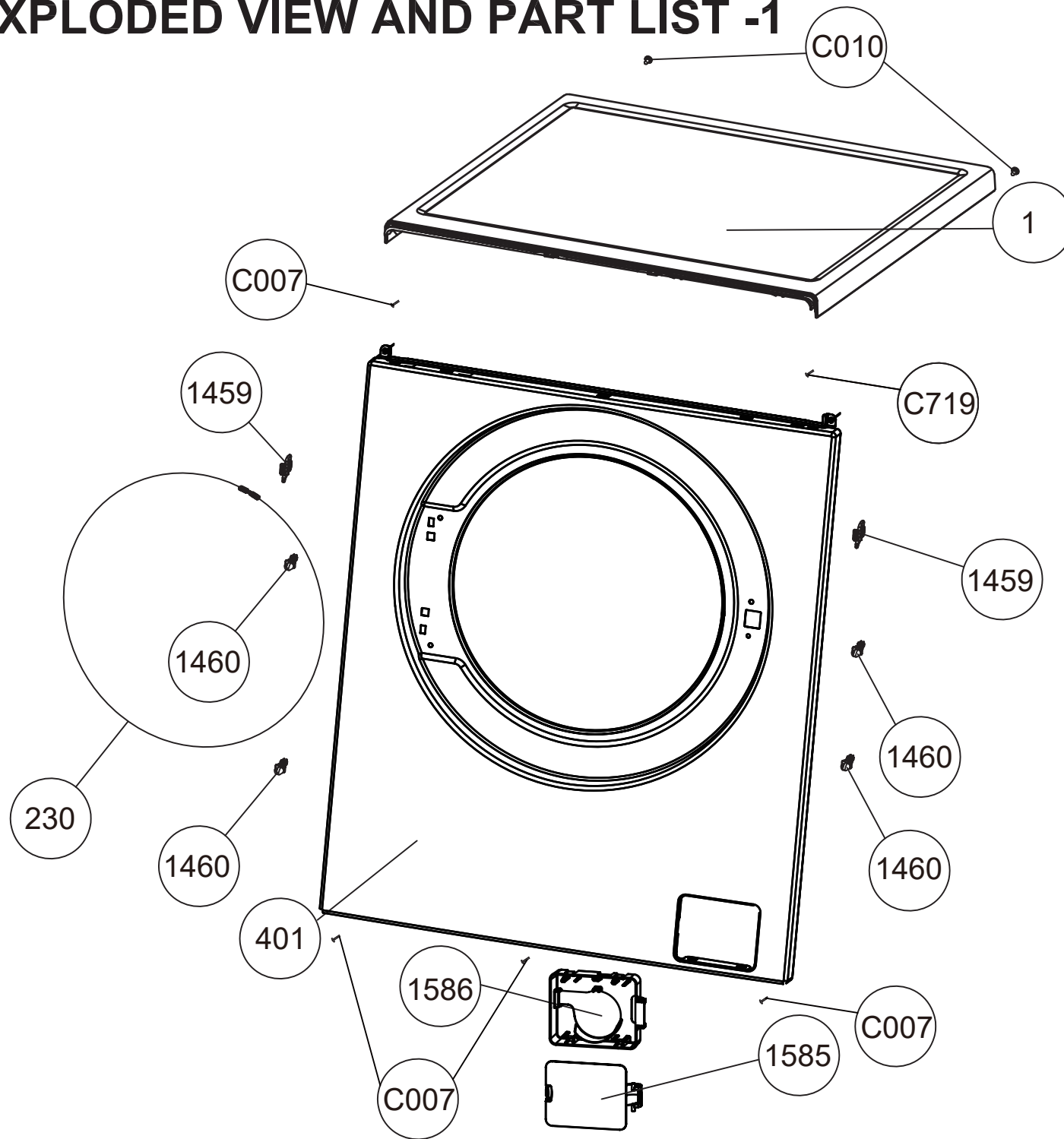
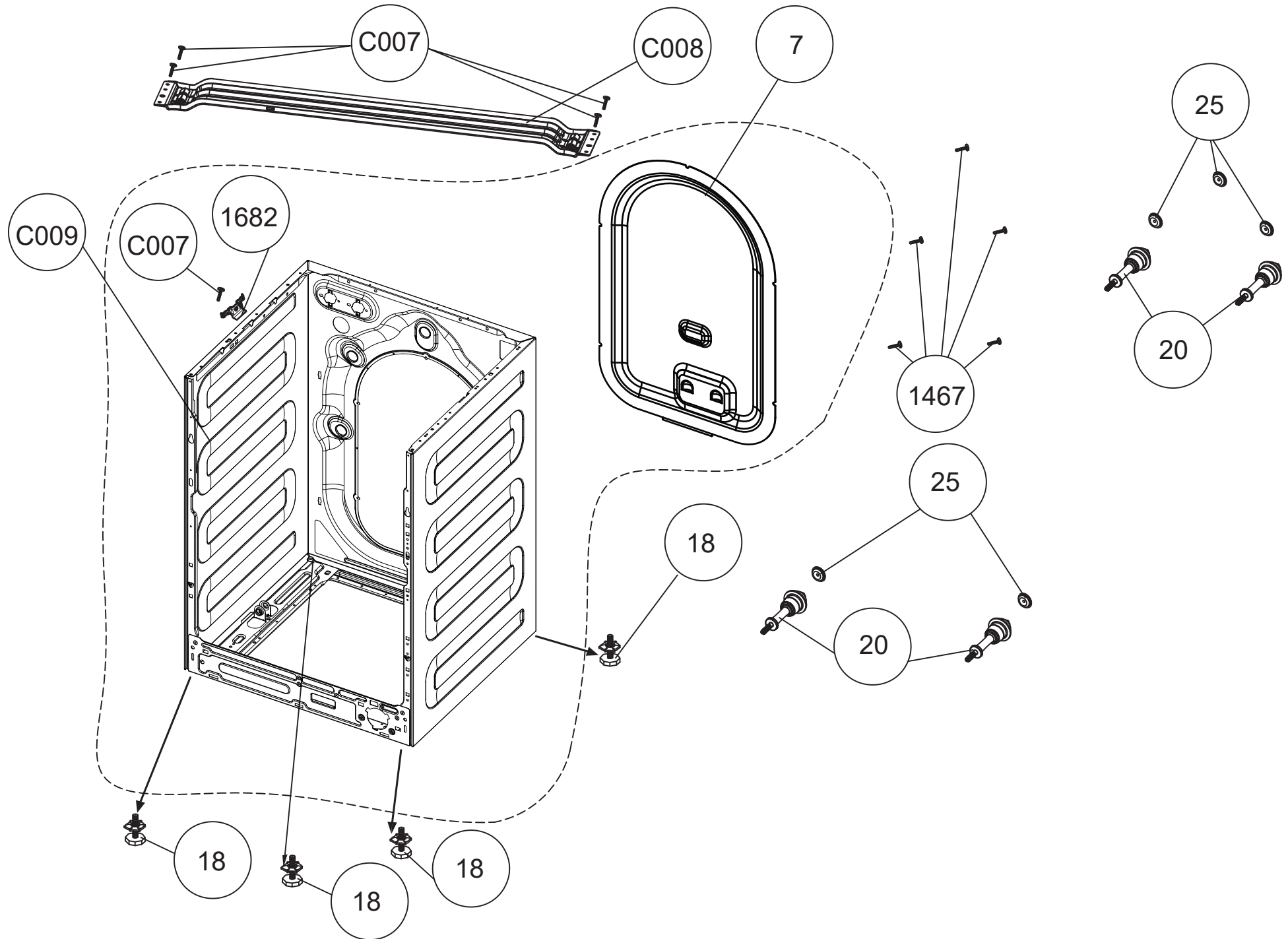


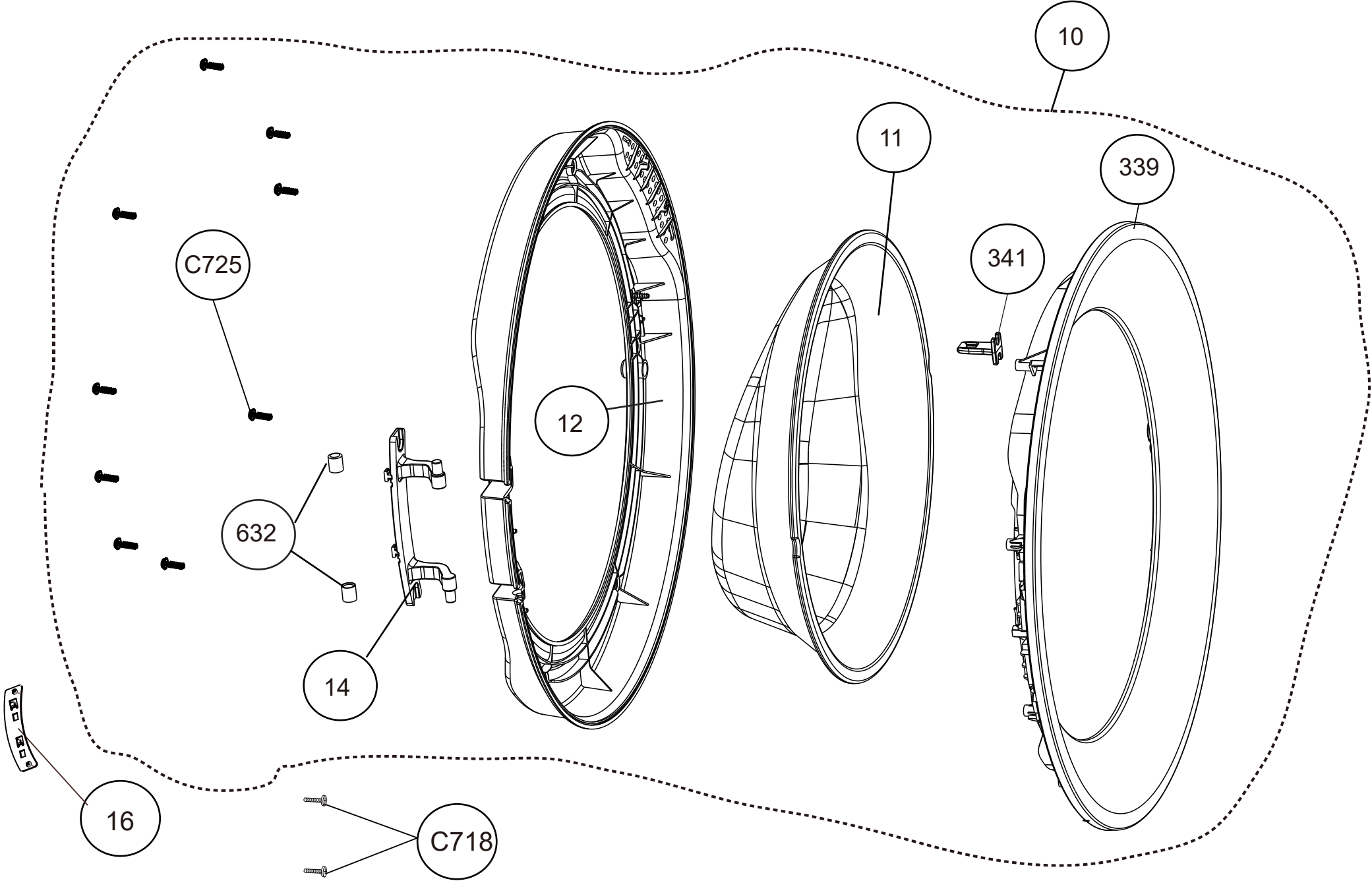
# EXPLODED VIEW AND PART LIST -1



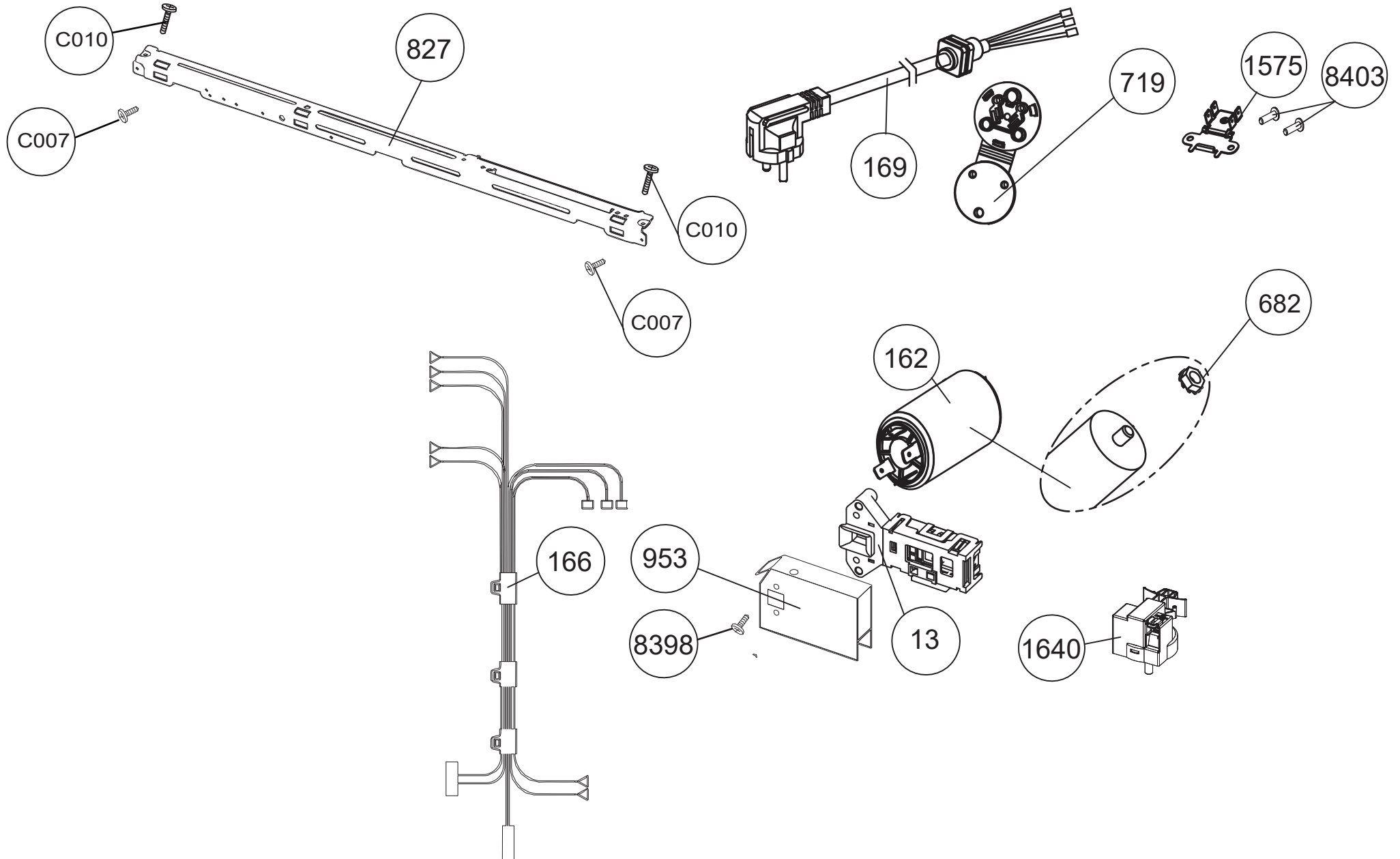
# EXPLODED VIEW AND PART LIST -2



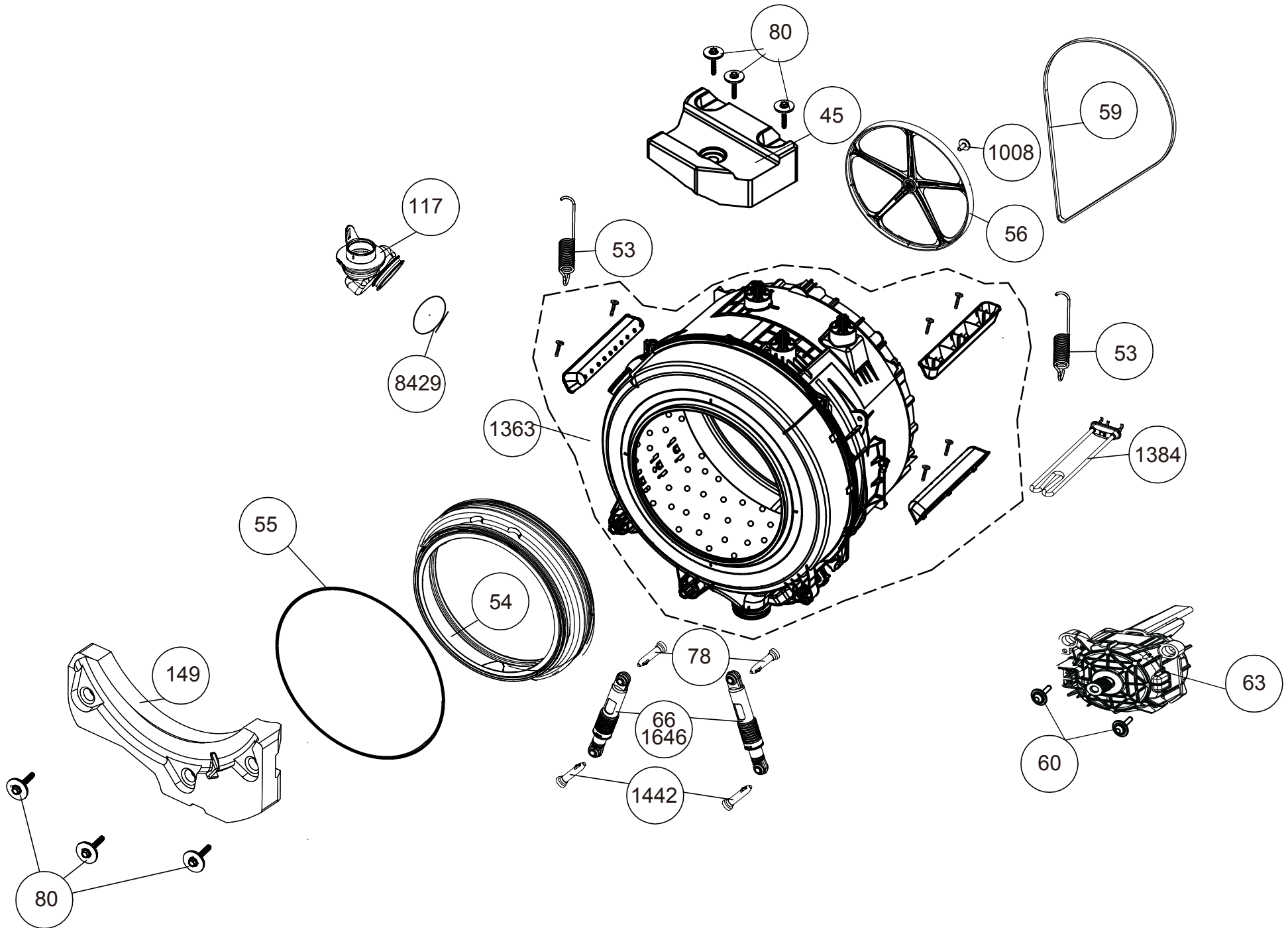
# EXPLODED VIEW AND PART LIST -3



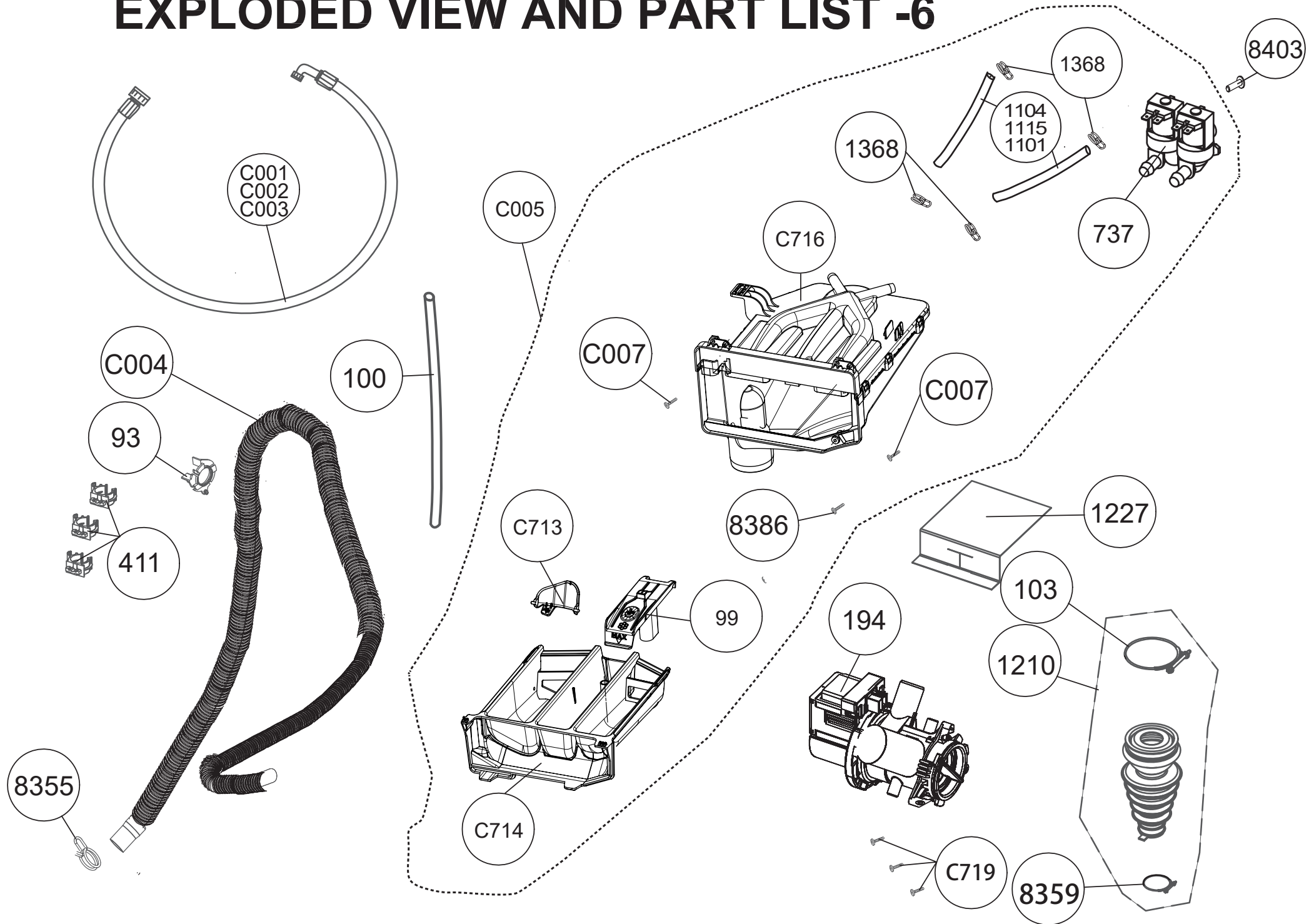
# EXPLODED VIEW AND PART LIST -4



# EXPLODED VIEW AND PART LIST -5



# EXPLODED VIEW AND PART LIST -6



# EXPLODED VIEW AND PART LIST -7

